

# HORIZONTAL WOLTMAN DETACHABLE DRY TYPE WATER METER

(Specification): LXLC-50 - 200



### Functions

To record the total amount of water passing through the pipeline.

### Characteristics

The meter is dry water meter, adopting digital code wheel display and magnetic transmission between the counting mechanism and measurement mechanism, with characteristics of advanced structure, easy reading, a small pressure loss, high universality, and easy maintenance. The counter under the protection of a steel cover has a certain degree of anti-skid capability, and can be rotated 360 degrees, easy to count. The counting mechanism and movement can be replaced without cutting off the water supply or temporarily cutting off the water supply.

### Options

It can configure two kinds of remote devices of pulse signal output: O1 magnetically read pulse output signal; O2 optical pulse output signal.

### Working Conditions

Temperature Rating: T30/T90

Pressure Rating: MPA10 (Recommending MPA16)

The technical parameters are in accordance with the provisions of national standard of GB/T778.1~3—2007 (ISO4064—1~3; 2005IDT).

### Maximum Permissible Errors

Maximum permissible errors in the low area (Q1≤Q≤Q2) are ±5%.

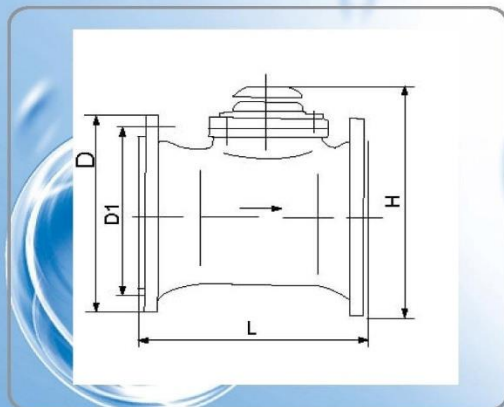
Maximum permissible errors in the high area (Q2≤Q≤Q4) are ±2%.



## Main Technical Data

Type	Size mm	Class	q <sub>max</sub> Max flow	q <sub>n</sub> Nominal Flow	q <sub>t</sub> Transitional Flow	q <sub>min</sub> min flow	Min Reading lectura	Max Reading lectura
					m <sup>3</sup> /h			m <sup>3</sup>
LXLCR-50	50	A	30	15	4.5	1.2	0.001	9,999,999
LXLC-50		B			3	0.45		
LXLCR-65	65	A	50	25	7.5	2	0.001	9,999,999
LXLC-65		B			5	0.75		
LXLCR-80	80	A	80	40	12	3.2	0.001	9,999,999
LXLC-80		B			8	1.2		
LXLCR-100	100	A	120	60	18	4.8	0.001	9,999,999
LXLC-100		B			12	1.8		
LXLCR-125	125	A	200	100	30	8	0.001	9,999,999
LXLC-125		B			20	3		
LXLCR-150	150	A	300	150	45	12	0.01	99,999,999
LXLC-150		B			30	4.5		
LXLCR-200	200	A	500	250	75	20	0.01	99,999,999
LXLC-200		B			50	7.5		

## Dimensions and Weight



Type	Size	Length	Height	Connecting flange			Weight Kg	
				Outer Dia	Bolt circle dia	Connecting Bolt dia		
LXLCR-50	LXLC-50	50	200	175	250	125	4-M16	12
LXLCR-65	LXLC-65	65	200	185	255	145	4-M16	13
LXLCR-80	LXLC-80	80	225	200	265	160	8-M16	15
LXLCR-100	LXLC-100	100	250	220	275	180	8-M16	19
LXLCR-125	LXLC-125	125	250	245	285	210	8-M16	22
LXLCR-150	LXLC-150	150	300	285	310	240	8-M20	28
LXLCR-200	LXLC-200	200	350	345	370	295	8-M20	41